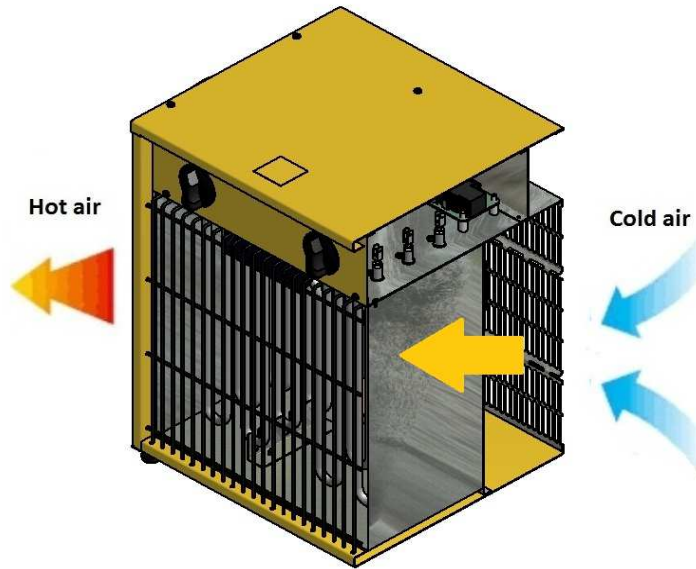


ELECTRIC FAN HEATER

# B9 EPB



## FUNCTIONING PRINCIPLES



The device works on the principle of forced convection. The air flow is forced fan. Cold air is drawn in the back of the unit. Further, when flowing from the heater, it receives heat. The heated air is expelled in front of the heater. The device has a thermostat for the regulation of temperatures 5-35 °C. The unit area is equipped with thermal protection with reset. The unit features: ventilation, heating with half the power, heating at full power. The device has a cooling thermostat.

## TECHNICAL DATA

Max capacity	kW	<b>9</b>	Power supply	V	<b>400</b>
	Kcal/h	<b>7740</b>	Frequency	Hz	<b>50</b>
	Btu/h	<b>30709</b>	Rated current	A	<b>13</b>
Combustible	Power		Class of protection		<b>IP24</b>
Net weight	kg	<b>10</b>			
Gross weight	kg	<b>11</b>			
Noise level	dBa	<b>55</b>			
Air displacement	m <sup>3</sup> /h	<b>800</b>			

## PACKAGING

Dimensions packing	mm	<b>360x450x490</b>
Dimensions utilization	mm	<b>300x400x430</b>
Pieces for Euro-pallet	n°	<b>32</b>
Pieces per truck 80m <sup>3</sup>	n°	<b>1056</b>

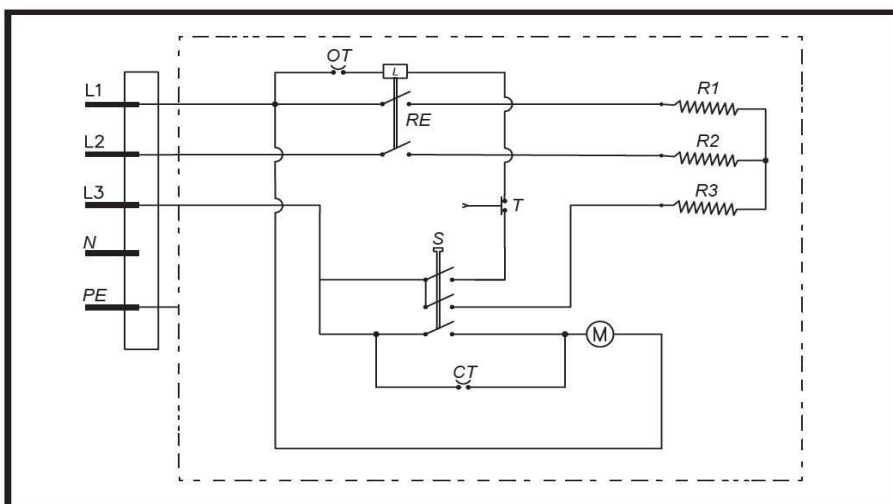
## COMPONENTS

Heating elements	3000W
Thermostat	Bimetallic
Fan	∅ 254mm
Thermal protection	60°C
Cooling Thermostat	60°C
Relay	RELAY MODUL 230V 30A/250V 2NO
Motor	Asynchronous, thermal, with impedance protection, counterclockwise rotation, 1300rpm

## ACCESSORIES

Supply conductor	5m
Supply conductor	10m

## WIRING DIAGRAM



- S : Rotary switch
- M : Motor
- C : Capacitor
- OT : Overheat thermos.
- CT : Cooling thermostat
- T : Adj. Room Therm.
- RE : Relay
- L : Relay coil
- R : Heating elements

## DATI TECNICI

---

Alimentazione	400V
Potenza Nominale	4,5 ÷ 9 kW
Portata Aria	800 m <sup>3</sup> /h
Presa (maschio) integrata sulla macchina	16A / 5P
Assorbimento	13 A
Posizione Acceso 1	Spento
Posizione Acceso 2	Ventilatore
Posizione Acceso 3/4	4,5 / 9 kW
Termostato	Incluso
Range di Temperatura	5-35°C
Protezione	IP24
Dimensioni	34 x 42 x 44 cm
Peso	9,3 kg